

GIANT RICE

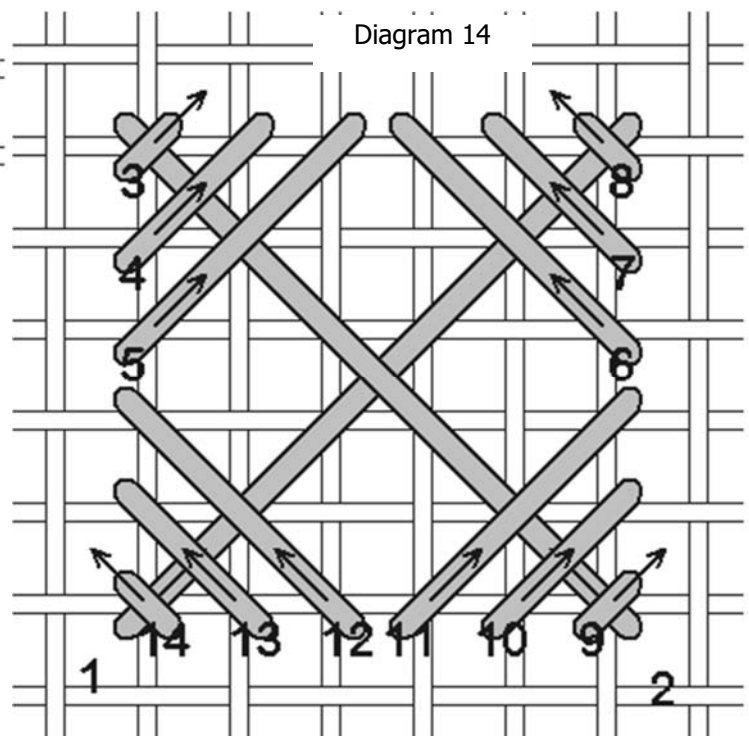
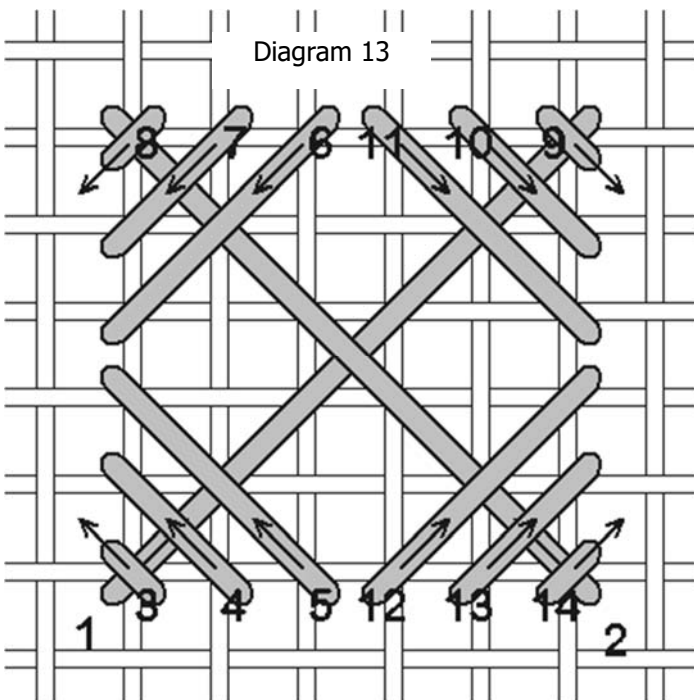
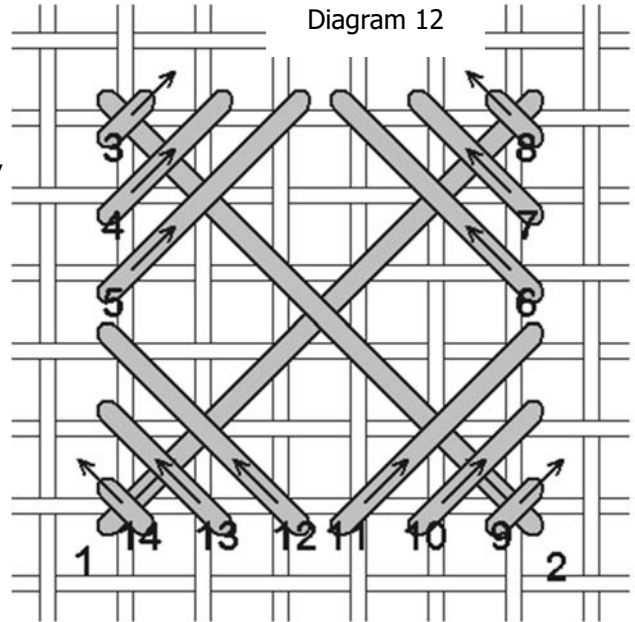
Thread Type	As Shown	Your Choice
Silk pearl	Gumnuts Buds 386 Medium Cornflower (1)	

Rice stitches are fairly common as borders and filling stitches in counted canvas work, and here the rice stitch is over 6 canvas threads so considered "giant". A rice stitch is a cross stitch, either upright or regular cross stitch, with the "legs" of the base cross stitch tied one, two or more times. Here each leg is tied 3 times at the top and 3 times at the bottom.

The basic rice stitch is shown here.

However, as I was stitching I discovered it was necessary to use a different stitching order. The stitch looks the same on the front, but the thread carries was seeing through the canvas disturbed me.

So I stitched the across the top as shown in Diagram 13.

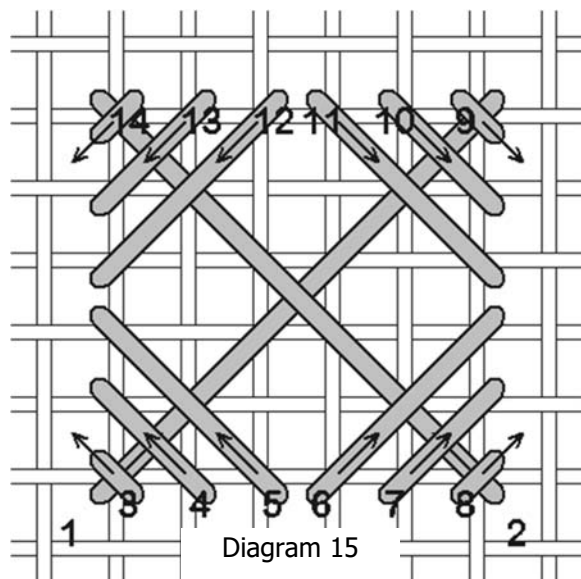
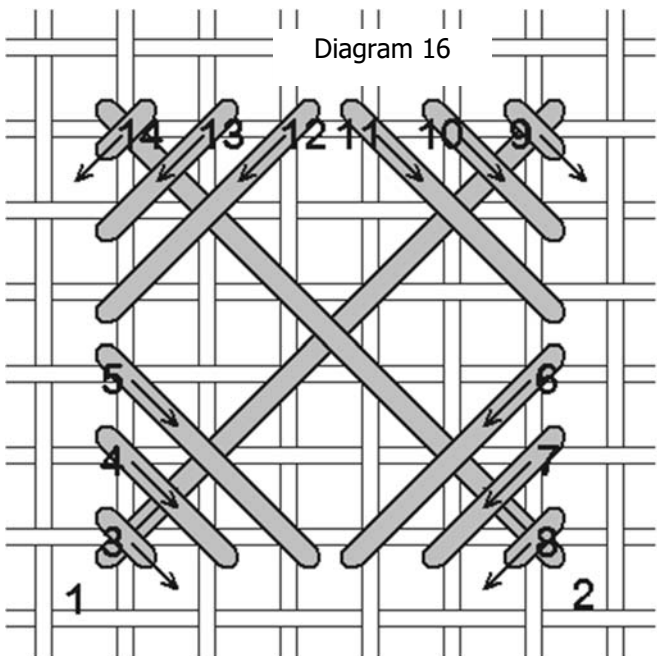


I stitched down the right side as shown in Diagram 14.

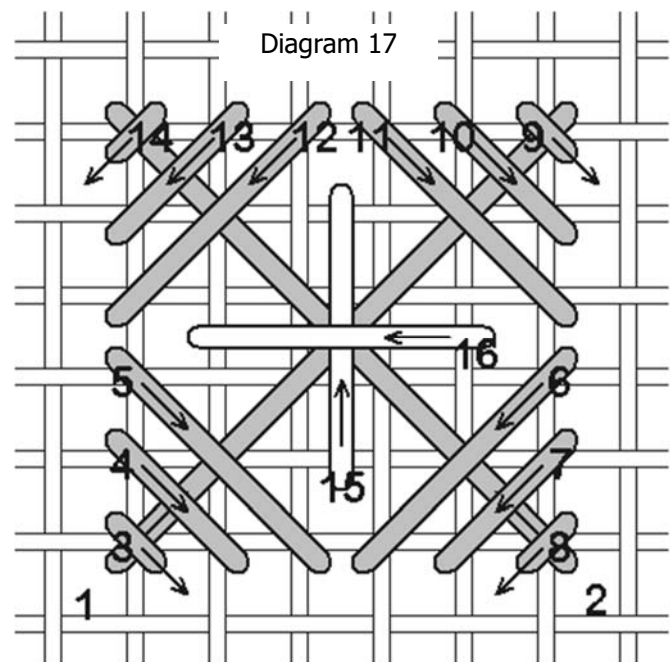
These are subtle differences but stitching in a different order left the centers open with no thread carries showing through.

I stitched across the bottom, going from the right side to the left side, as shown in Diagram 15.

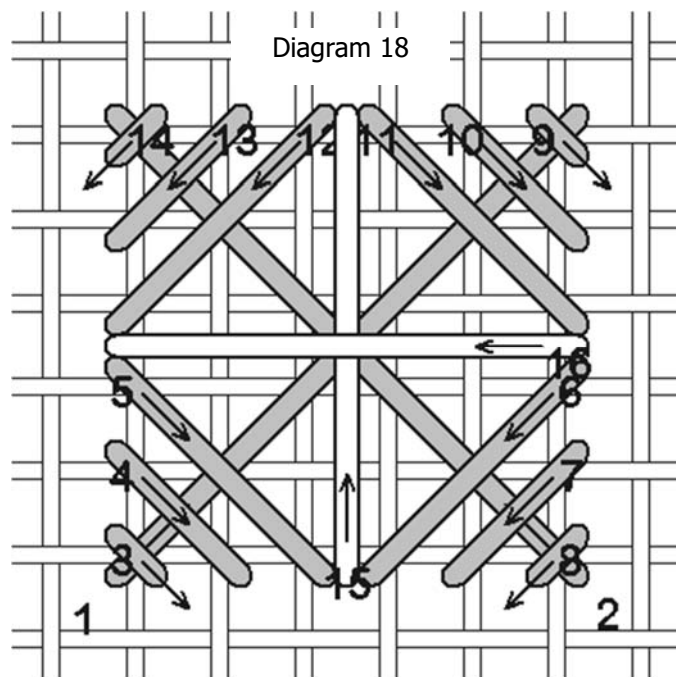
And I stitched up the left side, from bottom to top, as shown in Diagram 16.



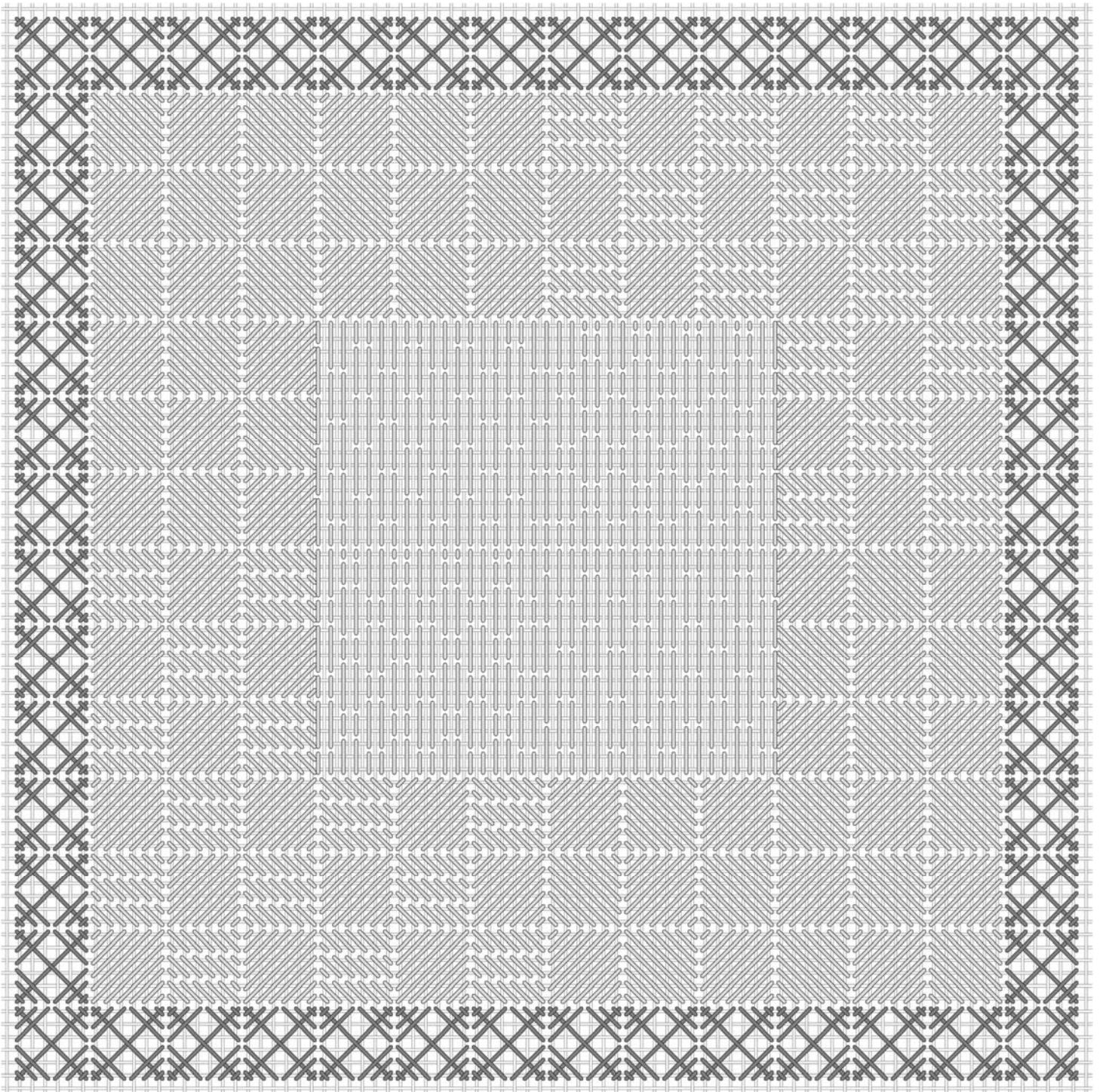
Now, if I had metallics in my kit, I would probably finish off like this:



Or this:



And if that were the case, the thread carries wouldn't matter because the center open canvas would be covered. Just something to consider!



Here's the completed rice stitch border. Just two more borders to go!